

Doc Part No. 64810

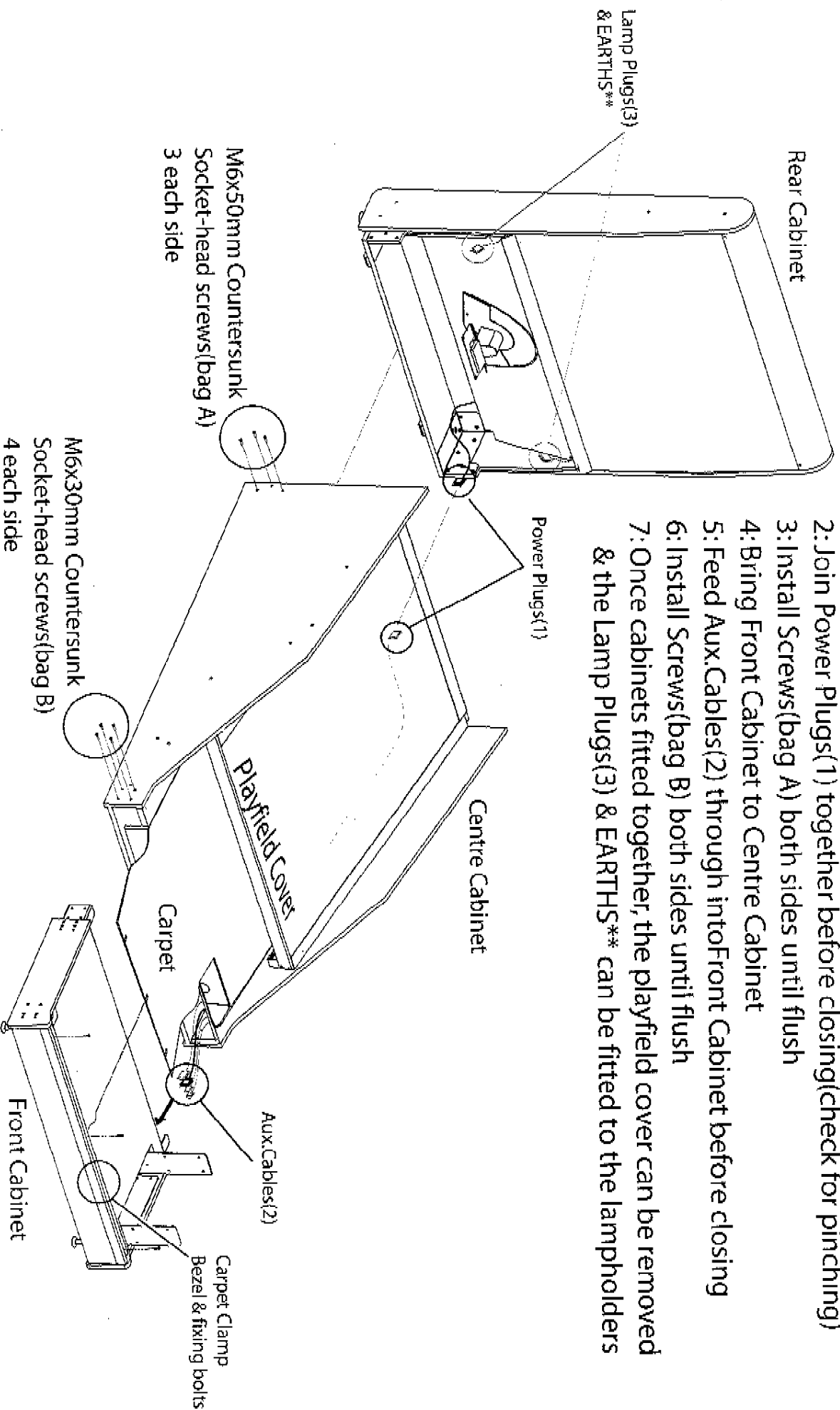
X-PUTT MUST BE INSTALLED  
ON AN EVEN FLAT SURFACE  
TO ENSURE EASY ASSEMBLY  
& CORRECT GAMEPLAY

THIS ASSEMBLY GUIDE  
MUST BE FOLLOWED TO  
ENSURE SAFE OPERATION  
OF THE X-PUTT MACHINE.

# ***X-PUTT ASSEMBLY GUIDE***

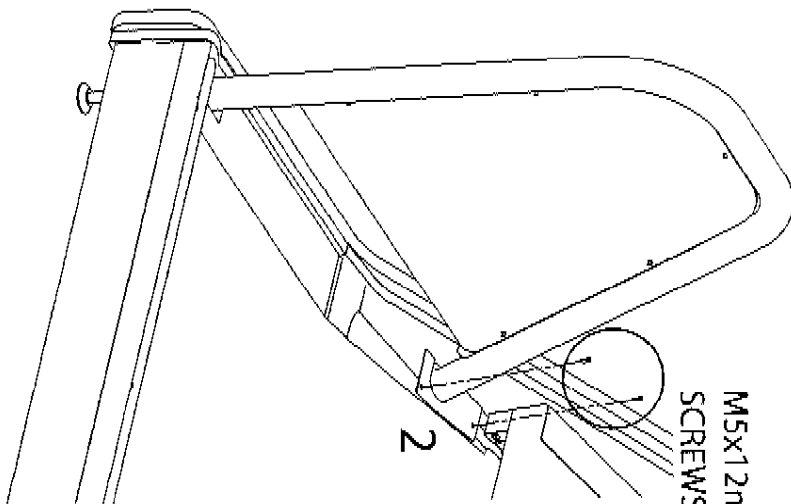
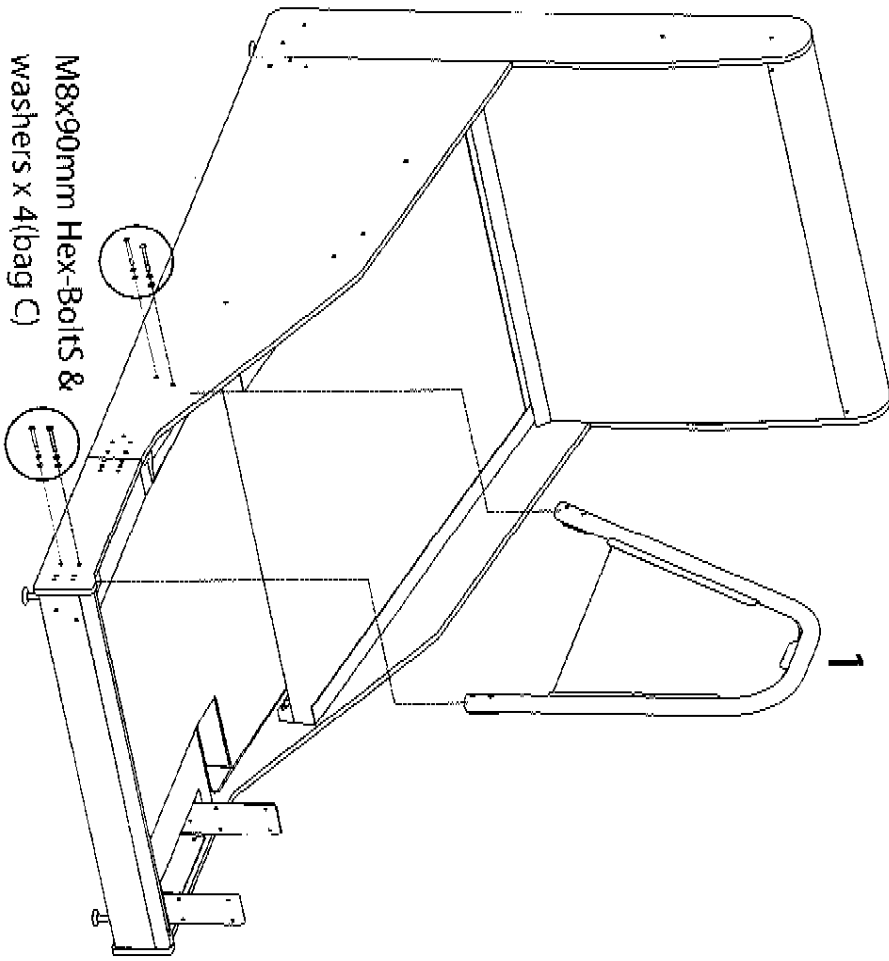
## 1: FITTING THE CABINETS TOGETHER

- 1: Bring Rear Cabinet to Centre cabinet
- 2: Join Power Plugs(1) together before closing(check for pinching)
- 3: Install Screws(bag A) both sides until flush
- 4: Bring Front Cabinet to Centre Cabinet
- 5: Feed Aux. Cables(2) through into Front Cabinet before closing
- 6: Install Screws(bag B) both sides until flush
- 7: Once cabinets fitted together, the playfield cover can be removed

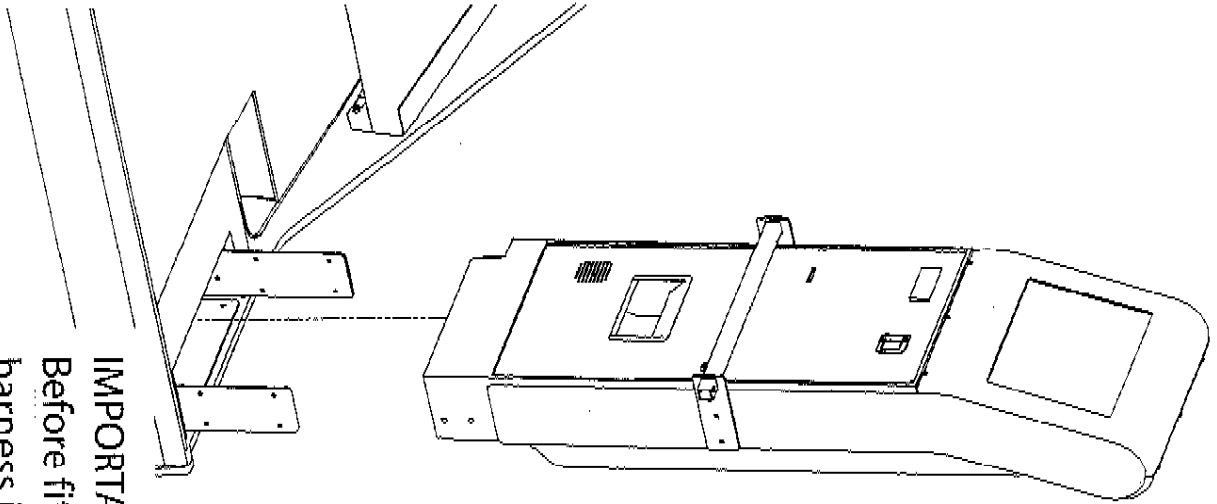


\*\*Failure to fit the EARTHS to the lampholders will cause erratic gameplay!

### FITTING THE SAFETY-RAIL(1) & COVER PLATE(2)

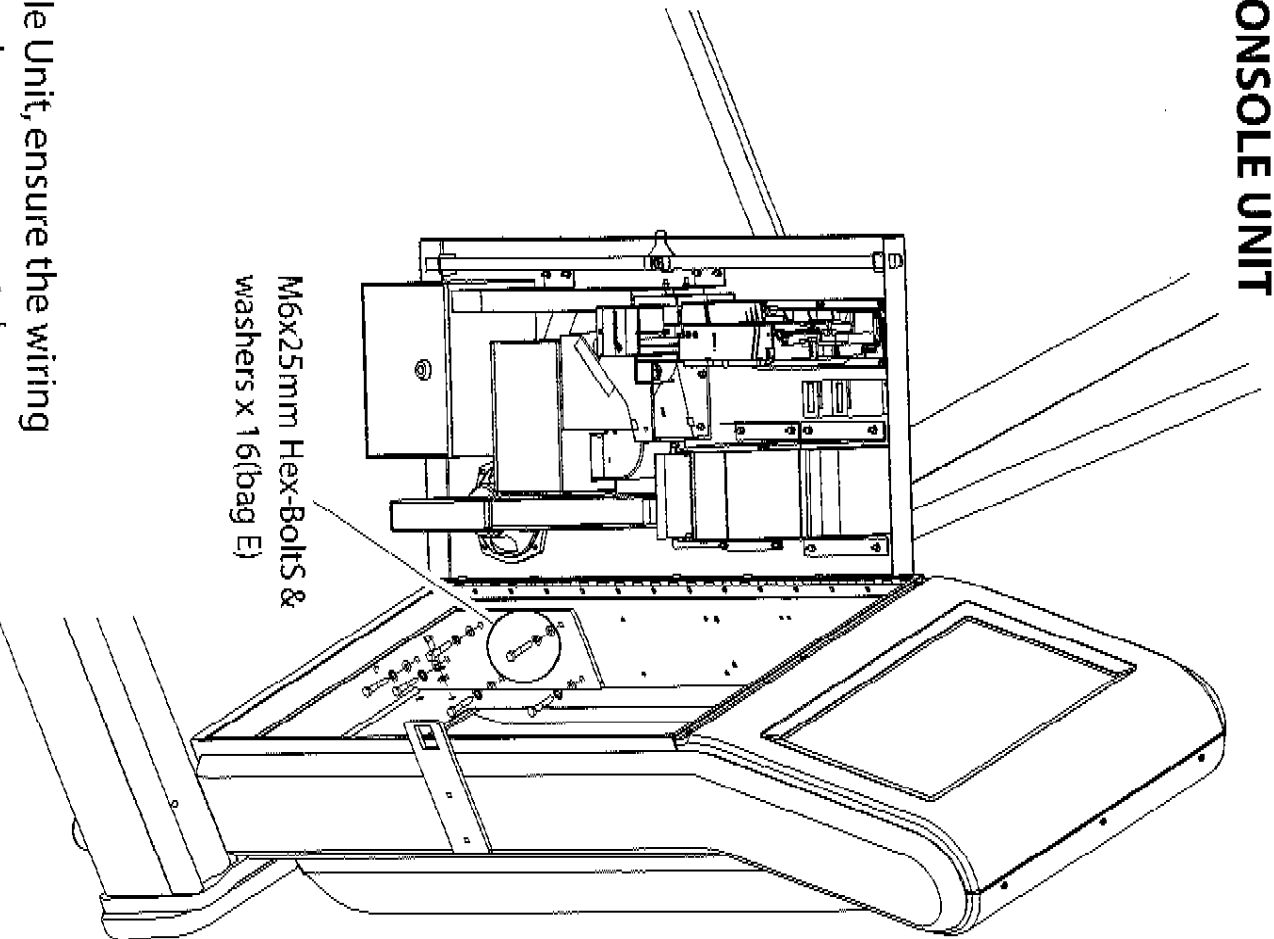


# FITTING THE CONSOLE UNIT



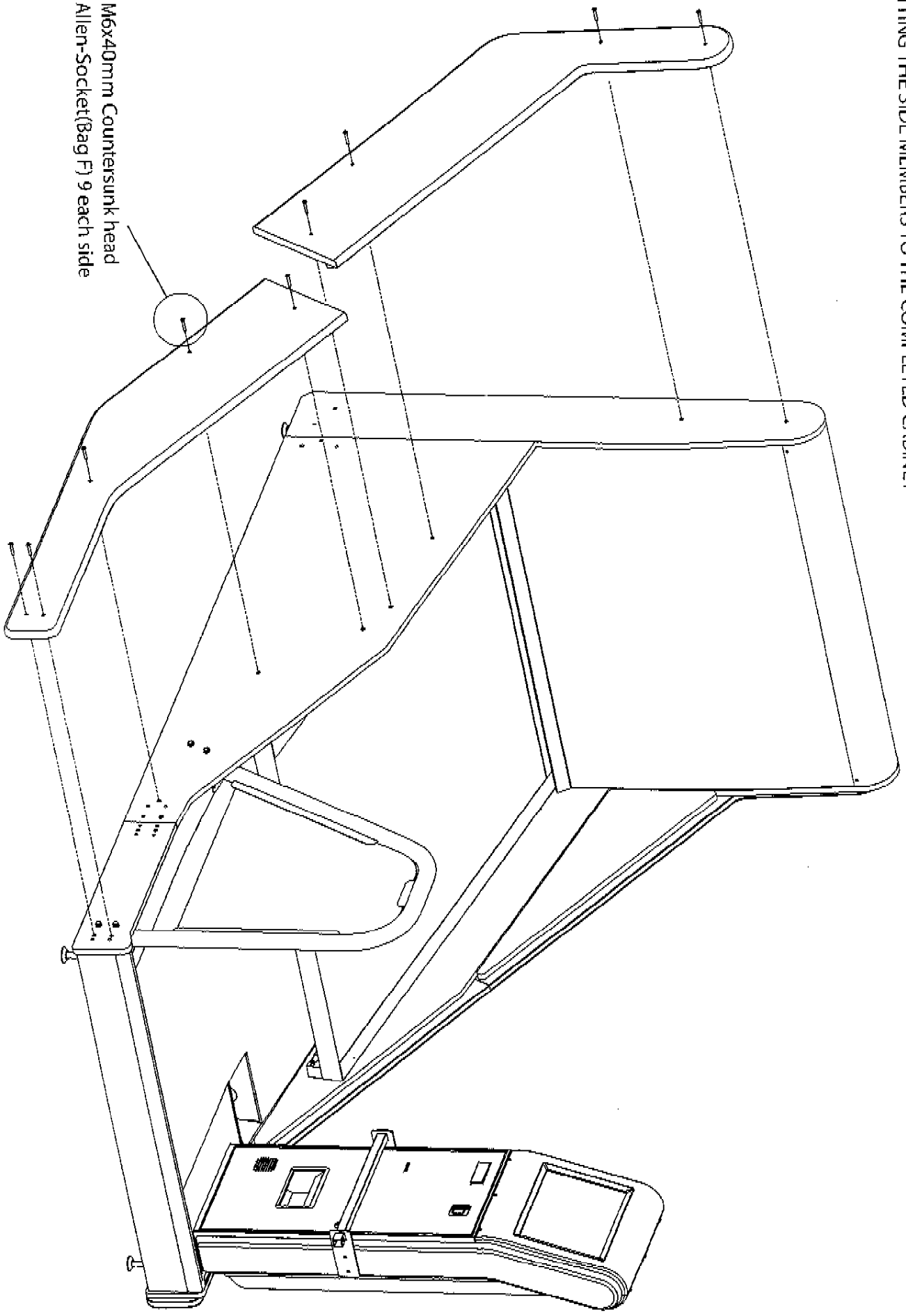
## IMPORTANT!

Before fitting the Console Unit, ensure the wiring harness is clear of the bracket, to prevent damage. Once the Console Unit is secure, feed the Aux cables through & connect securely



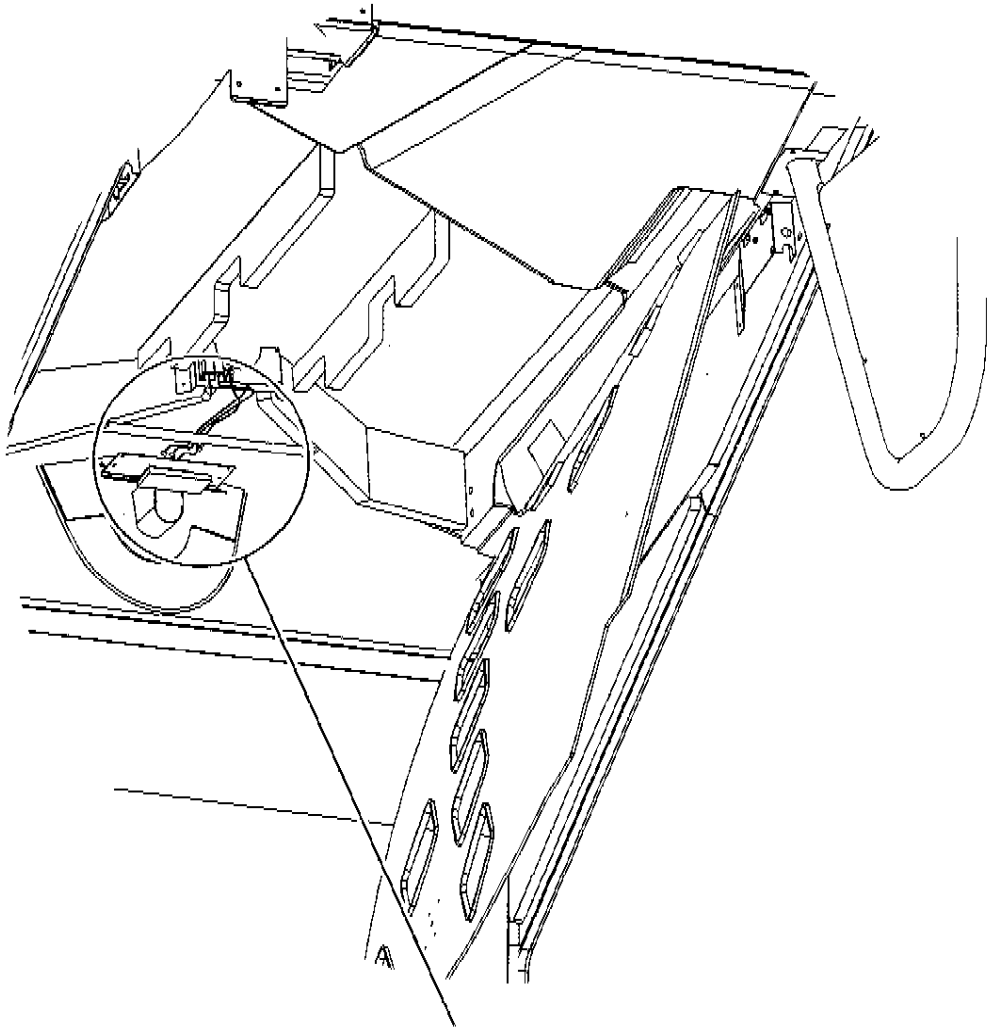
M6x25mm Hex-Bolts & washers X 16(bag E)

FITTING THE SIDE MEMBERS TO THE COMPLETED CABINET



## PLAYFIELD CONNECTIONS

After removing the clear cover & folding carpet back from stance area, locate & remove the screws that secure the playfield down(3 at the front & 2 on the right-hand side under the carpet) & prop the playfield up. Connect the remaining 3 connections, 1 plug-to-plug & 2 plug-to-board connections(it is not important which way around the RJ45 board plugs go on the board)



Finally, close the playfield down, secure with the 4 screws removed previously, fold the carpet back into position, fit the carpet-clamp bezel & bolts re-fit the clear cover securely. Level the completed machine & be sure to install 3 golf-balls minimum & test the machine in accordance with the manual before allowing customer play.